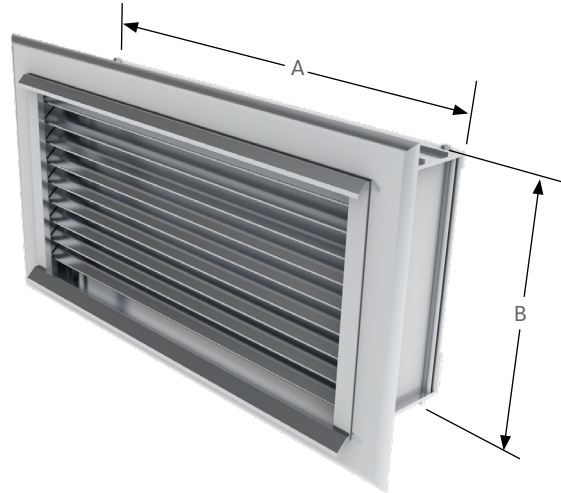
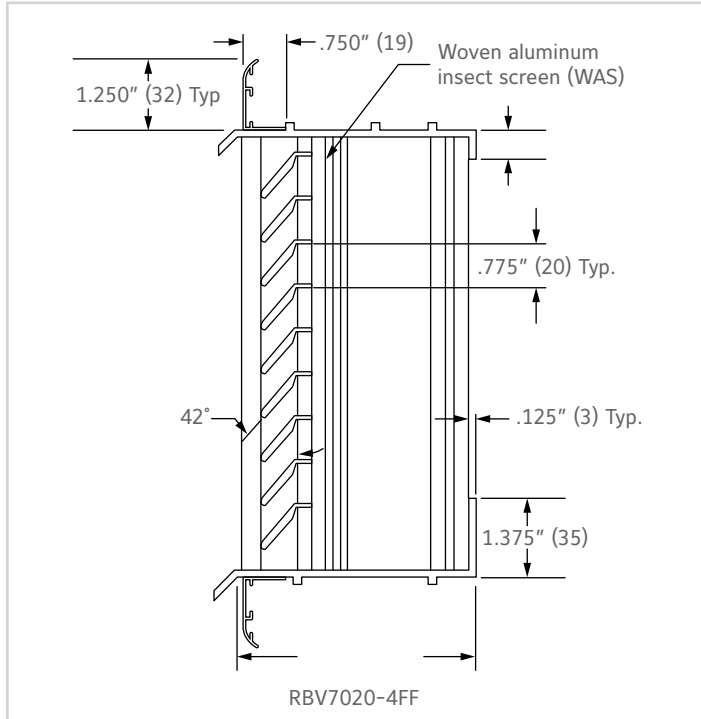


STANDARD CONSTRUCTION

- Brick vent with RSM20 added to flange to 4" (102) depth
- Special design features afford maximum weather protection
- .125" (3) extruded aluminum; 6063-T5 alloy



UNIT TYPE	UNIT MODEL NO.	VARIATIONS
PROJECT		LOCATION
ARCH. / ENGR.		CONTRACTOR
REPRESENTATIVE		DATE

NOTE: Dimensions in inches, parenthesis () indicate millimeters

LINKS TO IMPORTANT DOCUMENTS

Document Title

Finishes and Color Guide

Limited Warranty Document



1300 Enterprise Road, P.O. Box
580, Geneva, Alabama 36340
Tel: 334-684-3621
Tel: 800-624-3914
Fax: 800-508-1469